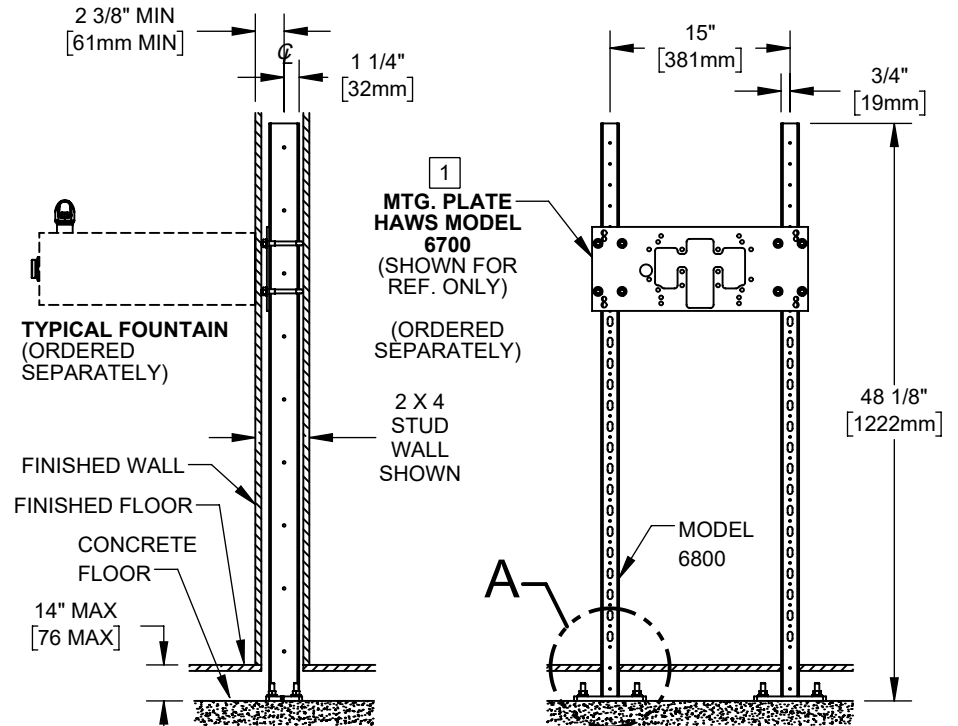
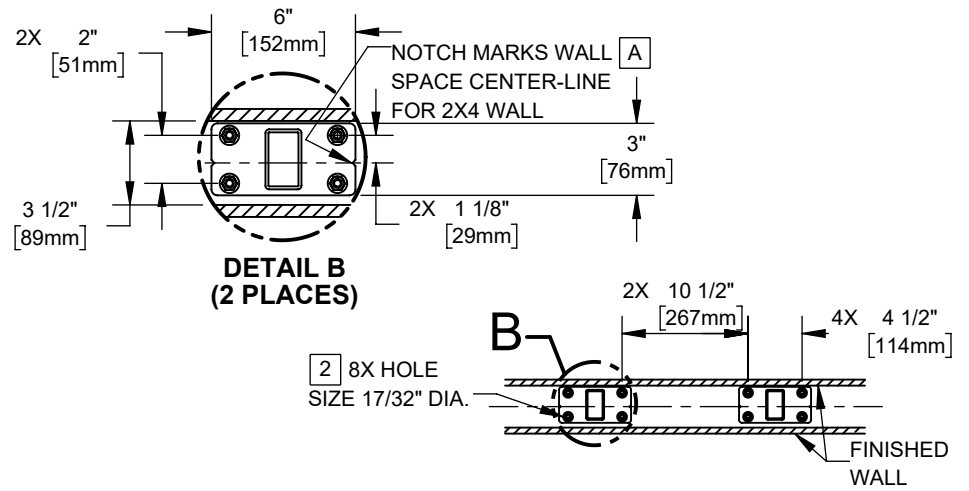
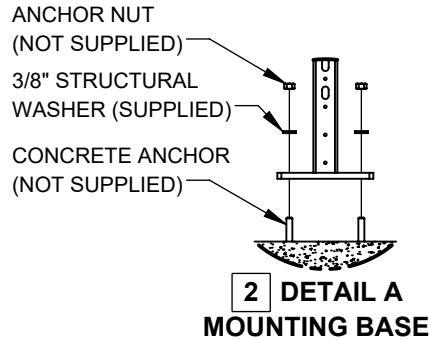


**NOTES:**

1. THE 6800 SUPPORT CARRIER CAN ALSO BE USED WITH MOUNTING PLATE MODELS 6705, 6710, 6715, 6717, AND 6776.
2. CONCRETE ANCHORS NOT SUPPLIED. 3/8" ANCHORS ARE RECOMMENDED AND SHOULD BE USED WITH SUPPLIED 3/8" STRUCTURAL WASHERS. 1/2" ANCHORS ARE ALSO ACCEPTABLE. ANCHORS SHALL BE PROPERLY SELECTED FOR THE APPLICATION AND SHALL HAVE A MINIMUM 1,200 LBF PULL OUT/AXIAL LOAD CAPACITY EACH.
3. HOLD ROUGH-IN DIMENSIONS ±1/4" (6.4mm).
4. WHEN INSTALLING THIS UNIT, LOCAL, STATE, OR FEDERAL CODES SHOULD BE ADHERED TO.
5. SLOTTED HOLES IN MODEL 6800 ARE FOR TOOL CLEARANCE TO INSTALL MODEL 6810W DRAIN BYPASS INSERT (SEE SHEET 3).
6. INSTALLATION SEQUENCE:
  - A. USE HAWS MODEL 6800/6810 FULLY ASSEMBLED TO MOUNTING PLATE AS A TEMPLATE IF DRILLING CONCRETE FOR ANCHORS.
  - B. FASTEN MODEL 6800 TO CONCRETE ANCHORS WITH THE SLOTTED HOLES FACING TOWARDS THE PLUMBING FIXTURE. FOLLOW THE ANCHOR MANUFACTURER'S INSTRUCTIONS FOR PROPER TORQUE.
  - C. INSTALL THE APPROPRIATE MOUNTING PLATE FOR YOUR PLUMBING FIXTURE (PURCHASED SEPARATELY) WITH THE SUPPLIED 3/8" U-BOLTS. REFER TO THE INSTALLATION DRAWINGS INCLUDED WITH THE MOUNTING PLATE FOR DETAILED INSTRUCTIONS FOR YOUR PLUMBING FIXTURE.

(NOTES FOR MODELS 6810 & 6810W ON SHEET 3)

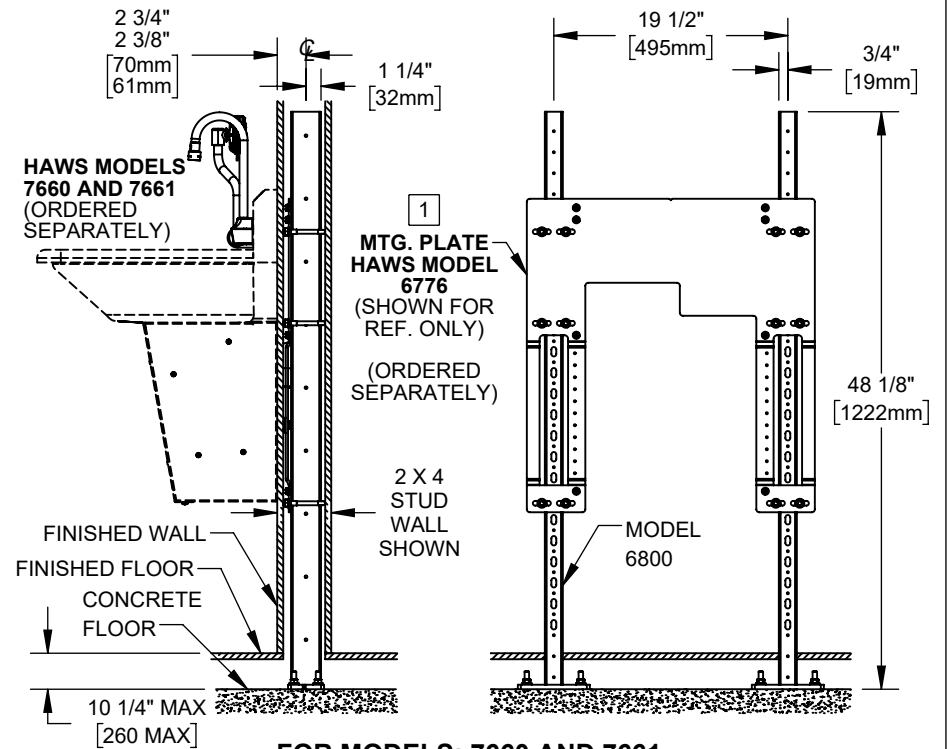
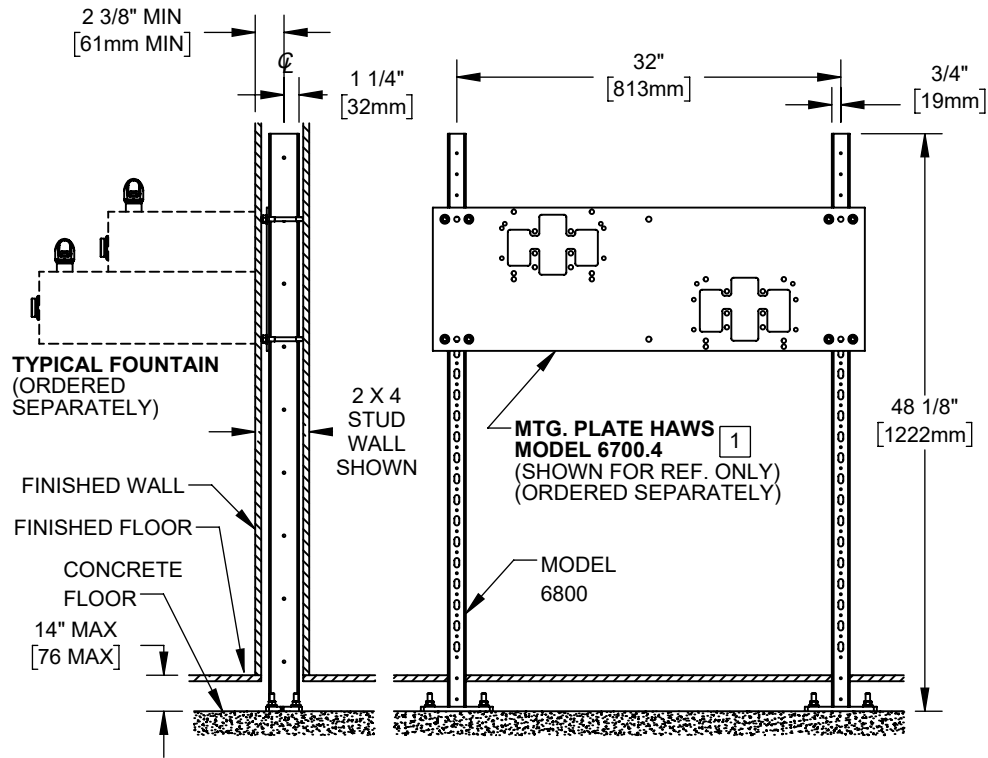
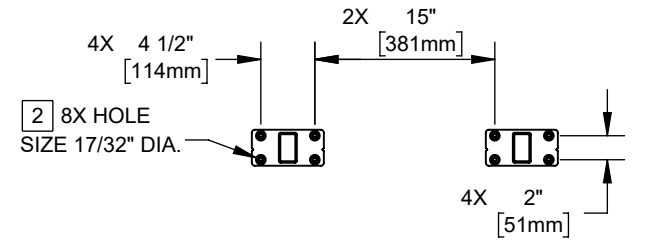
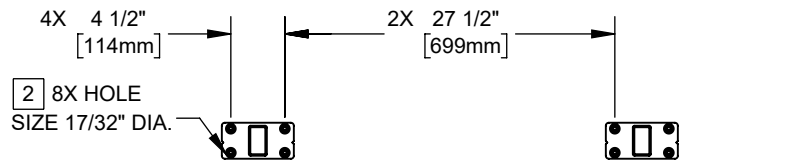


**FOR MODELS: 1001, 1025, 1047, 1075, 1105, 1107L, AND 1109**  
**SEE PAGES 2&3 FOR OTHER MODELS**

**ATTENTION**  
THIS IN-WALL CARRIER IS USED WITH SEVERAL DIFFERENT MODELS. FOR FOUNTAIN ROUGH-IN HEIGHTS AND MOUNTING PLATE ORIENTATION SEE THE MOST CURRENT INSTALLATION INSTRUCTIONS SUPPLIED WITH THE FOUNTAIN AND MOUNTING PLATE BEING USED PRIOR TO INSTALLING THIS UNIT.

1455 KLEPPE LANE  
SPARKS, NEVADA 89431  
(775) 359-4712 FAX (775) 359-7424  
E-MAIL: HAWS@HAWSO.COM  
WEBSITE: WWW.HAWSO.COM

ECN: 5877	REV. ECN: 5877	BY: JU	MODEL(S): 6800, 6810, & 6810W	PART NUMBER: 0002080019
DRAWN: JU	DATE: 01/09/23	CHKD: JU	UNIVERSAL IN WALL CARRIER SUPPORT	REVISION: 14
APPROVED: DHP	DATE: 02/06/23	SCALE: 1:16	DRAWING TYPE: INSTALLATION	SHEET 1 OF 3



FOR MODELS: 1011, 1117L, 1119 AND 1119.14

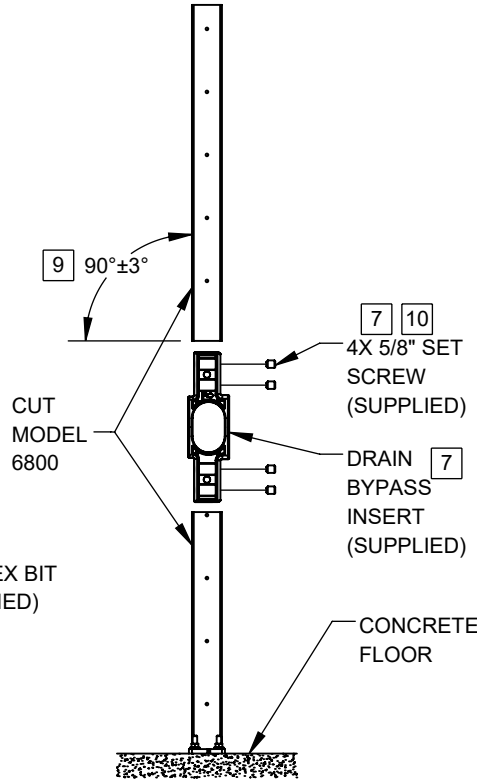
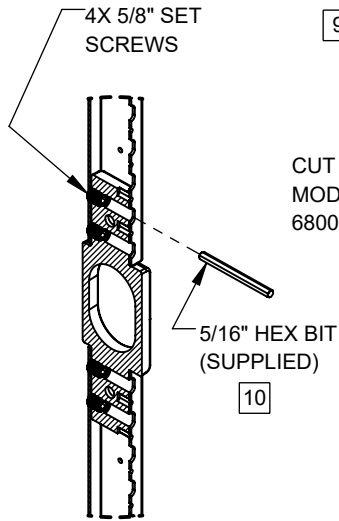
FOR MODELS: 7660 AND 7661

1455 KLEPPE LANE  
SPARKS, NEVADA 89431  
(775) 359-4712 FAX (775) 359-7424  
E-MAIL: HAWS@HAWSCO.COM  
WEBSITE: WWW.HAWSCO.COM

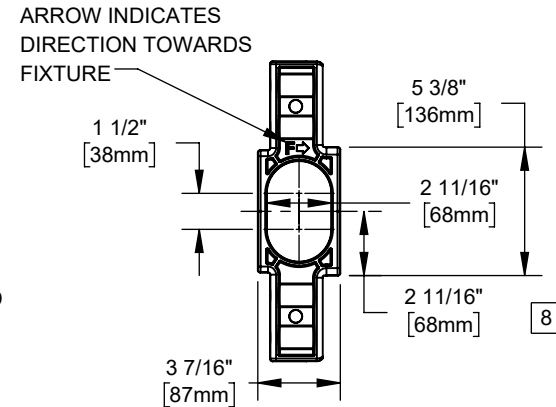
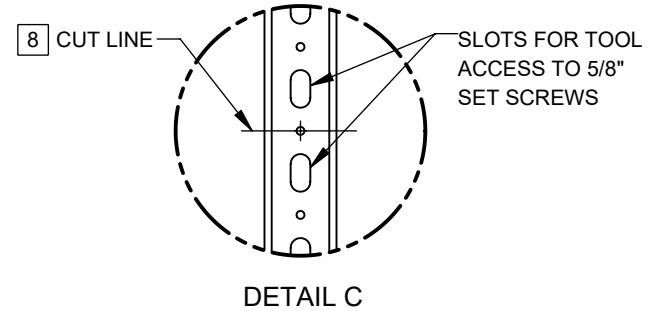
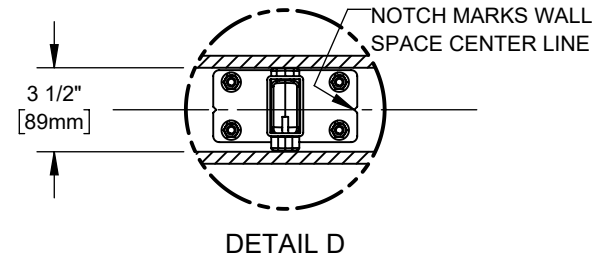
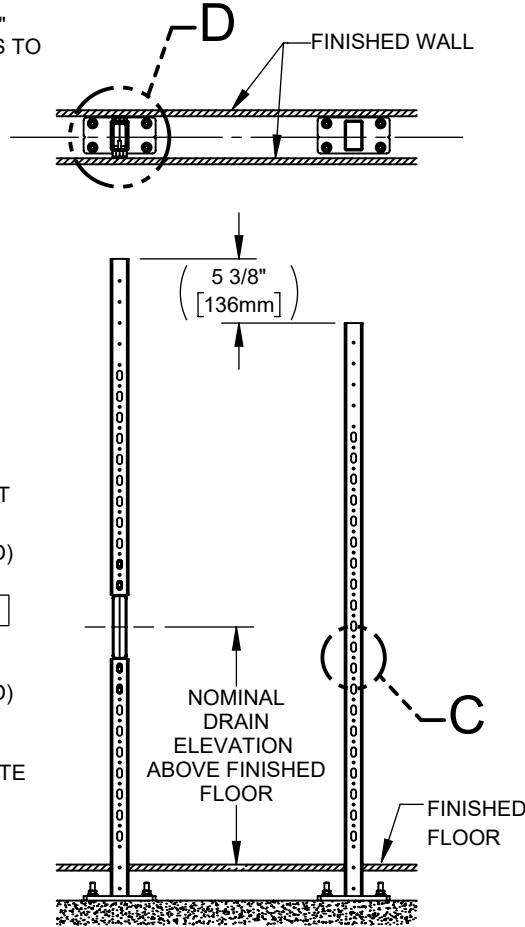
		<b>MODEL(S)</b>		PART NUMBER	
ECN: 5877	REV. ECN: 5877	BY: JU	6800, 6810, & 6810W	0002080019	
DRAWN: JU	DATE: 01/09/23	CHKD: JU	UNIVERSAL IN WALL CARRIER SUPPORT	REVISION	
APPROVED: DHP	DATE: 02/06/23	SCALE: 1:16	DRAWING TYPE: INSTALLATION	14	
			SIZE: A	SHEET 2 OF 3	

(NOTES FOR MODELS 6810 & 6810W)

7. HAWS MODEL 6810W, DRAIN BYPASS INSERT, IS USED TO ALLOW LATERAL DRAIN INSTALLATION IN NARROW WALL CAVITIES SUCH AS 2X4 WALLS.
8. CUT MODEL 6800, IN-WALL CARRIER, ROUGHLY 2 11/16" BELOW DESIRED NOMINAL DRAIN ELEVATION THROUGH THE CENTER OF THE CLOSEST .170" DIA. HOLE ±1/8".
9. CUT MODEL 6800, IN-WALL CARRIER, SQUARE ±3°.
10. TORQUE 5/8" SET SCREWS TO 12 LB-FT USING THE SUPPLIED 5/16" HEX BIT. USE A STRAIGHT EDGE WHILE TIGHTENING SET SCREWS TO ENSURE THE VERTICAL SUPPORT IS STRAIGHT.
11. DRAIN BYPASS INSERT CAN BE INSTALLED IN RIGHT, LEFT, OR BOTH VERTICAL SUPPORTS OF MODEL 6800.



**HAWS MODEL 6810: MODEL 6800 WITH MODEL 6810W DRAIN BYPASS INSERT**



**DRAIN BYPASS INSERT**



1455 KLEPPE LANE  
SPARKS, NEVADA 89431  
(775) 359-4712 FAX (775) 359-7424  
E-MAIL: HAWS@HAWSO.COM  
WEBSITE: WWW.HAWSO.COM

ECN: 5877	REV. ECN: 5877	BY: JU	MODEL(S): 6800, 6810, & 6810W	PART NUMBER: 0002080019
DRAWN: JU	DATE: 01/09/23	CHKD: JU	UNIVERSAL IN WALL CARRIER SUPPORT	REVISION: 14
APPROVED: DHP	DATE: 02/06/23	SCALE: 1:16	DRAWING TYPE: INSTALLATION	SHEET 3 OF 3